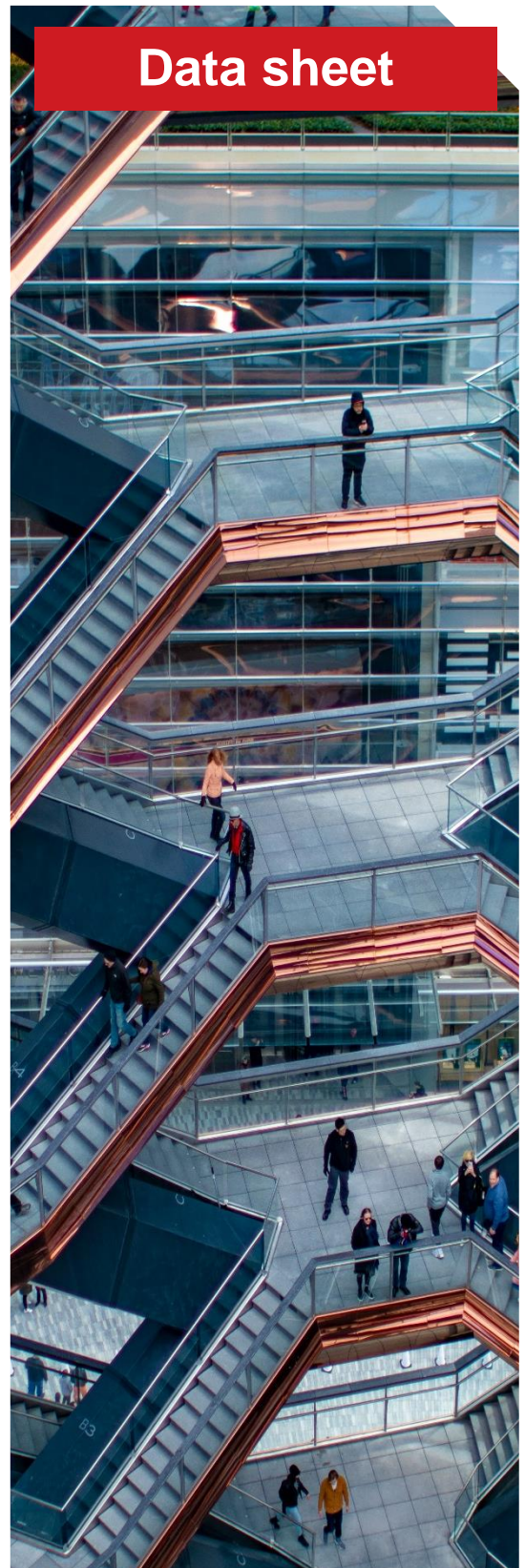


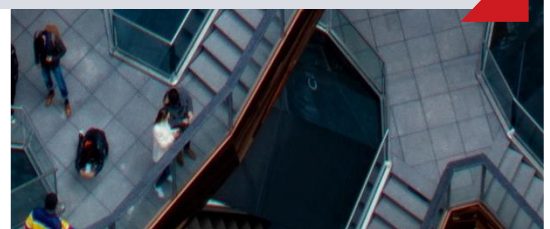


Data sheet



AD11R.10-1-1

**SINGLE PHASE STAND-ALONE SMART PREPAY
METER WITH DISCONNECTION RELAY**



DLMS/COSEM SUPPORT

- » Standard data model
- » Standard communication protocols
- » Interoperability

PREPAYMENT FUNCTIONALITY

- » Pre-payment and post-payment mode supported
- » Single tariff metering
- » Consumers' load disconnecting on credit amount exhaustion

MEASURED QUANTITIES & DATA

- » Active energy, class B, import/export
- » Phase voltage/current, active power - instantaneous values
- » Current meter readings, logs and statuses
- » Timestamp

METER PARAMETERIZATION

- » Remote via communication channel
- » Access rights assignment from HES
- » Events registering

EVENTS & ALARMS HANDLING

- » Continuous control of current state of meter functional nodes and alarms/events
- » Standard set of events processing including: registration and event reporting
- » User notification, when:
 - No data exchange with the meter for a long time
 - The meter credit is exhausted
 - The payment time is close to expiring
 - The order time is close to expiring

DATA STORAGE

- » Non-volatile memory
- » Stores the last 120 profile entries (recharge token, the current balance in the local currency and in watt-hours, start service time, stop service time, etc.)
- » Last 200 TID, to avoid ID repetition
- » No personal data or money transfer data storing
- » Based on FIFO mechanism

INFORMATION SECURITY

- » E2E security provided
- » Communication encryption (AES-GCM-128-0 security suite)
- » User authentication according to the user role
- » Data access according to access rights stated
- » Firmware protection
- » Events registering

METER SELF-CONTROL

- » Built-in test for continuous self-control
- » Quick response on severe error
- » Events registering

DATA TRANSMISSION

- » Sending data via tenant's mobile application on each communication session

SOFTWARE UPGRADE

- » Remote, via BLE
- » Image Block Transfer Mechanism is used.

LOAD CONTROL

- » Built-in relay (80 A)
- » Control modes:
 - remote (by command)
 - local (by condition)
- » Continuous relay state control
- » Events registering

BUILT-IN CLOCK

- » Real Time Clock (RTC), accuracy 0.5 s per day
- » IEC 62052-21 standard compliant
- » Daylight saving
- » External synchronization

TEST OUTPUTS

- » Outputs: 2 optical outputs (LEDs)
- » Parameters under control: active energy, communication channel state

BACKUP POWER SUPPLY

- » Battery to support clock/meter operation when the power is off
- » Lifetime - not less than 15 years

COMMUNICATION INTERFACES

- » **BLE 5.0:**
 - Built-in modem
 - Provides communication channel between the meter and market players mobile apps



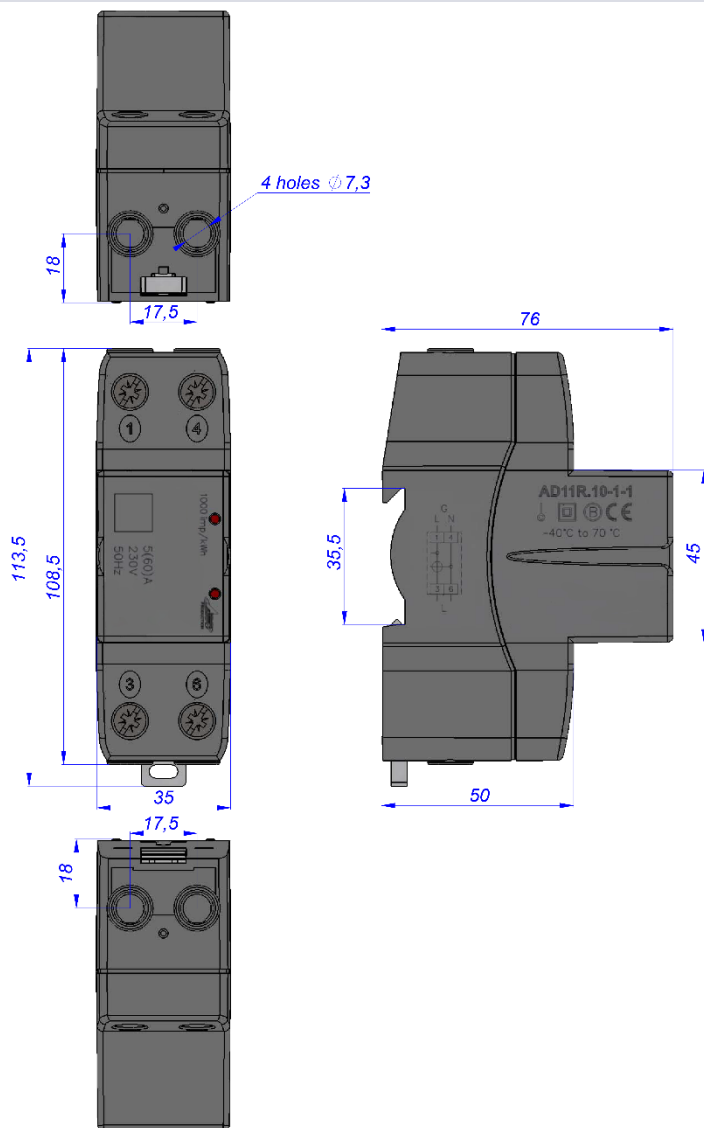
AD11R.10-1-1
Intended for:
hotels, guest houses and
apartment buildings

OPERATING SPECIFICATIONS:	
VOLTAGE	
Reference voltage, Un	230 V
Voltage range	0.7 Un ... 1.2 Un
CURRENT	
Reference current, Iref	5 A
Maximum current, I _{max}	60 A
Minimum current:	0.01 Iref
Starting current:	0.001 Iref
FREQUENCY	
Reference frequency	50 Hz
Tolerance	± 2 %
MEASUREMENT ACCURACY	
Active energy	B
INTERNAL CLOCK	
Built-in RTC	quartz crystal 32 kHz
Clock accuracy	≤0.5 s /24 h, (at 25°C) (IEC 62052-21)
POWER CONSUMPTION	
Current circuit	Not more than 1 VA inherent consumption
Voltage circuit (active/total)	Not more than 2 W / 10 VA inherent consumption per phase
TEMPERATURE AND HUMIDITY	
Operating range	-40°C ... +70°C, Humidity ≤ 95%, non-condensing
COMMUNICATION	
Chanel type	BLE
Data rate	Up to 2 Mbit/s
TESTS	
Insulation strength	4 kV, 50 Hz, 1 min, (IEC 61010-1-90)
Impulse voltage	8 kV, 1.2/50 μs, (IEC 60060-1)
Electrostatic discharge	15 kV, (IEC 61000-4-2)
High frequency radiant field	30 V/m, (IEC 61000-4-3)
High frequency interferences	4 kV, (IEC 61000-4-4)
Surge immunity test	6 kV, (IEC 61000-4-5)
OTHER SPECIFICATIONS	
Meter constant:	1000 imp/kWh (active energy)
IP rating	IP54
Mechanical class	M1
Electromagnetic class	E2
Mean total lifetime, not less	20 years
MTBF, less than, per year	0.5 %



AD11R.10-1-1
Intended for:
hotels, guest houses and
apartment buildings

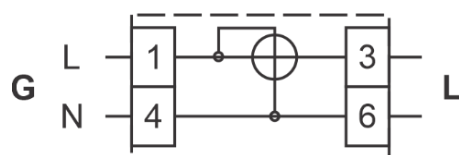
OVERALL DIMENSIONS



INSTALLATION

Mounting On DIN rail (35 mm)

Connection diagram



ORDERING INFORMATION

36, Dragomirna str. Kishinev, MD-2008, Republic of Moldova

Phone : +373 (0) 22 930012

Fax : +373 (0) 22 930012

E-mail : info@adderra.com

Web : www.adderra.com



AD11R.10-1-1
Intended for:
hotels, guest houses and
apartment buildings